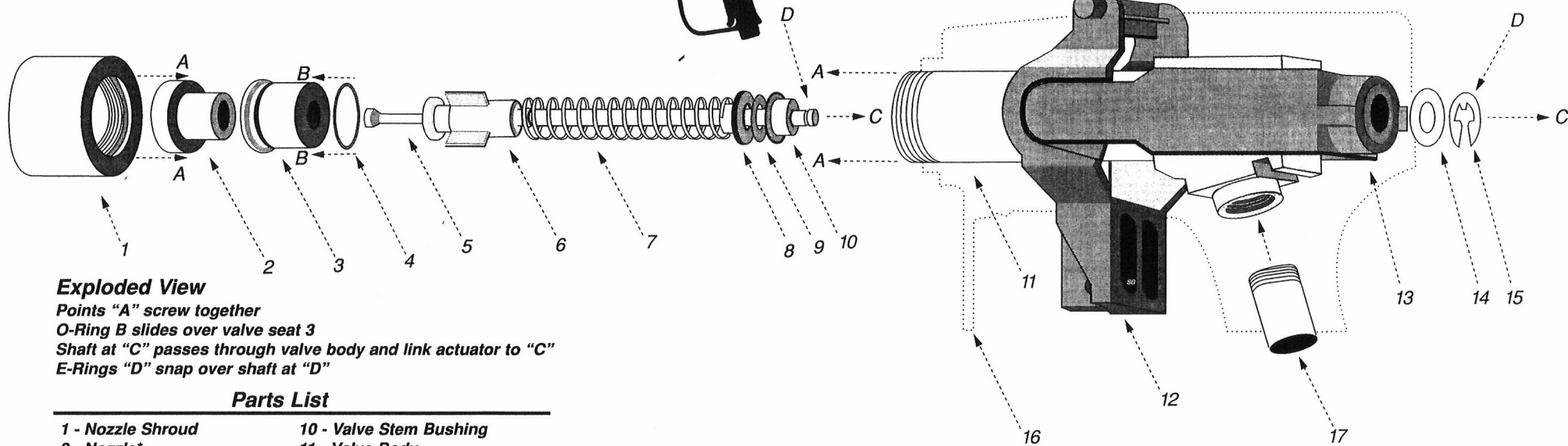


WATER BOSS™



Exploded View

Points "A" screw together

O-Ring B slides over valve seat 3

Shaft at "C" passes through valve body and link actuator to "C"

E-Rings "D" snap over shaft at "D"

Parts List

| | |
|----------------------------|-----------------------------|
| 1 - Nozzle Shroud | 10 - Valve Stem Bushing |
| 2 - Nozzle* | 11 - Valve Body |
| 3 - Valve Seat | 12 - Trigger |
| 4 - "O"-Ring | 13 - Link Actuator |
| 5 - Valve Stem | 14 - Stainless Steel Washer |
| 6 - Valve Guide | 15 - "E"- Ring (2 required) |
| 7 - Stainless Steel Spring | 16 - Housing |
| 8 - Spring Guide | 17 - Inlet Pipe |
| 9 - "O"-Ring | |

Water Boss - long trigger (300-1/2-L)

Water Boss - short trigger (300-1/2-S)

Repair Kit "A" contains parts 1-4 (RK-300-A)

Repair Kit "B" contains parts 1-10 & 12-16 (RK-300-B)

*300 series has two nozzle sizes. The standard nozzle has a small "+" on the front face. The additional nozzle tip is designed to reduce water consumption in gallons used per minute.

**Note: When using the Water Boss in conjunction with the DynaFluid steam and water mixing valve, the standard nozzle ("+") must be installed in the water gun.

ERGO TECH™

Lilly Engineering Company, Inc.
P.O. Box 173, 217 Catalpa Street
Itasca, Illinois 60143-0173
630-773-2222 Fax: 630-773-3443